



TEGERNSEERHOF

WEINGUT MITTELBACH · WACHAU - AUSTRIA

THE NAME IS FROM GERMANY (BAVARIA), THE WINE FROM WACHAU

The historical roots of Tegernseerhof go back over 1000 years. Holy Roman Emperor Henry II granted the Benedictine monastery of Tegernsee two oxgangs of land in Wachau. In 1176, Tegernseerhof was built and named after its owner.

Today, Tegernseerhof is owned by the Mittelbach family. The winery has been in their possession for five generations. The name has been preserved, like the ancient knowledge of viticulture, passed on from one generation to the next. The Tegernseerhof vineyards are located on the best slopes of the Wachau region. They are characterized by steep terraces of primary rock, with optimal exposure to sun and wind.

2016 RIESLING TERRASSEN FEDERSPIEL®

CHARACTERISTICS:

The stone terraces of the Wachau describe the highest cultural asset and have essential influence on typicality of the wines. Microclimates and different soil types characterize the uniqueness, which gives each of our locations 'innate nature.

Consistently, we focus on carving out these fascinating details. Starting the harvest of our Riesling grapes, we first pick the ripest ones for this Federspiel® wine from different vineyards in Loiben. In a corset of balanced acidity, the wine has time to develop and to sprout the fine aromas, like spring flowers. Sunny disposition and mineral tension keep this Riesling under control!

DETAILS:

Alcohol: 12,5 % Vol.
Residual sugar: 3,9 g/l
Acid: 6,1 g/l
Bottle size: 0,75 l



MY NOTES:



Our Estate is a member of the Vinea Wachau, therefore the vinification follows the strict regulations of the "Codex Wachau".



WEINGUT TEGERNSEERHOF · FAMILIE MITTELBACH
Unterloiben 12 · 3601 Dürnstein/Wachau · Austria
T +43 (0) 2732 / 853 62 · F +43 (0) 2732 / 853 62-20
office@tegernseerhof.at · www.tegernseerhof.at





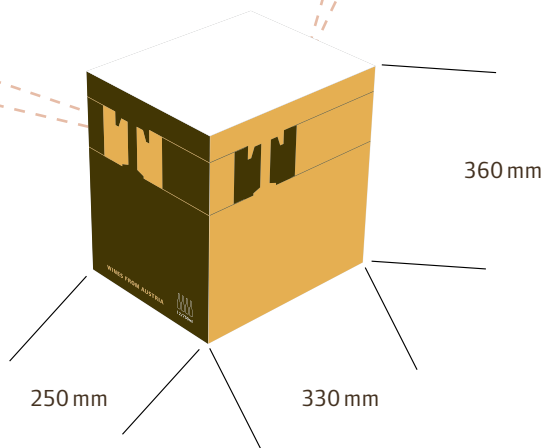
TEGERNSEERHOF

WEINGUT MITTELBACH · WACHAU - AUSTRIA

2016 RIESLING
TERRASSEN FEDERSPIEL®

TECHNICAL DETAILS:

bottles/case	12
cases/layer	14
layer/pallet	5
l/w/h pallet (US)	1200/1000/1900
EAN bottle	9120021055474
EAN case	9120021055498
UPC	787263315019



WEINGUT TEGERNSEERHOF · FAMILIE MITTELBACH
Unterloiben 12 · 3601 Dürnstein/Wachau · Austria
T +43 (0) 2732 / 853 62 · F +43 (0) 2732 / 853 62-20
office@tegernerhof.at · www.tegernerhof.at

